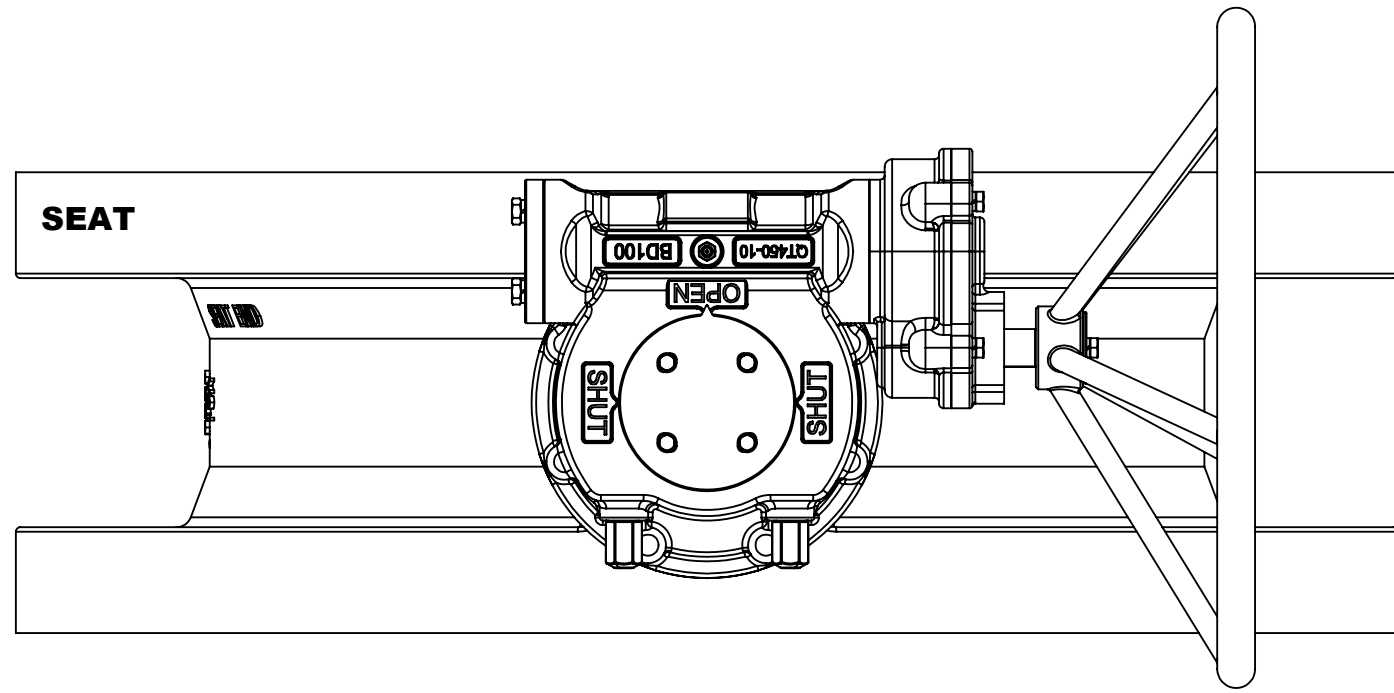
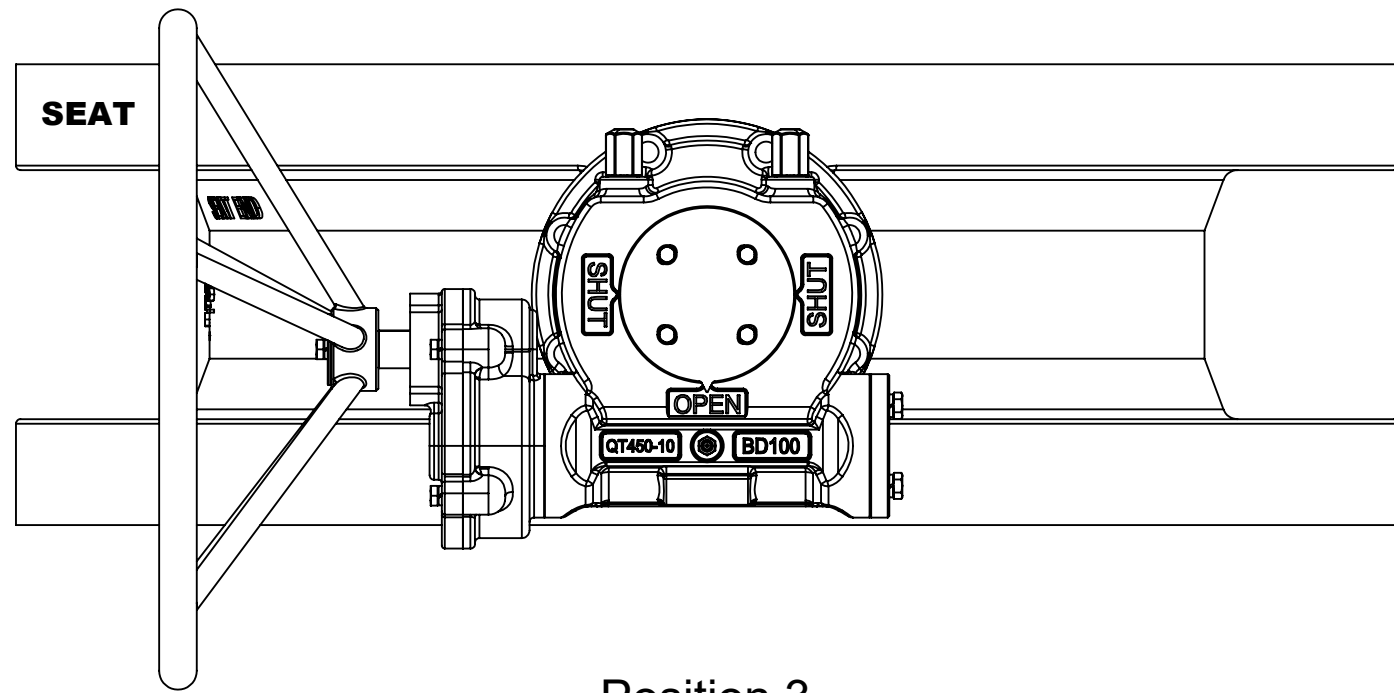
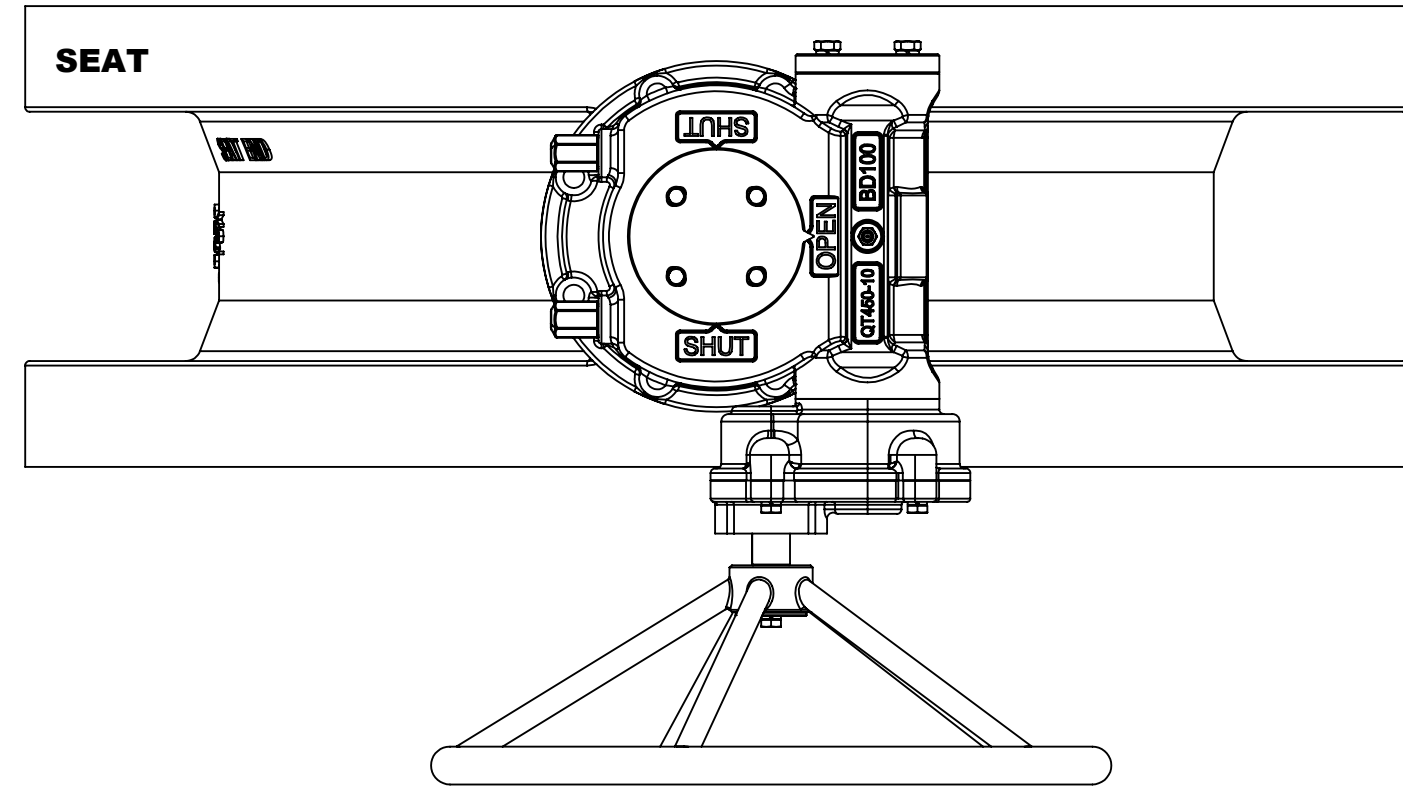


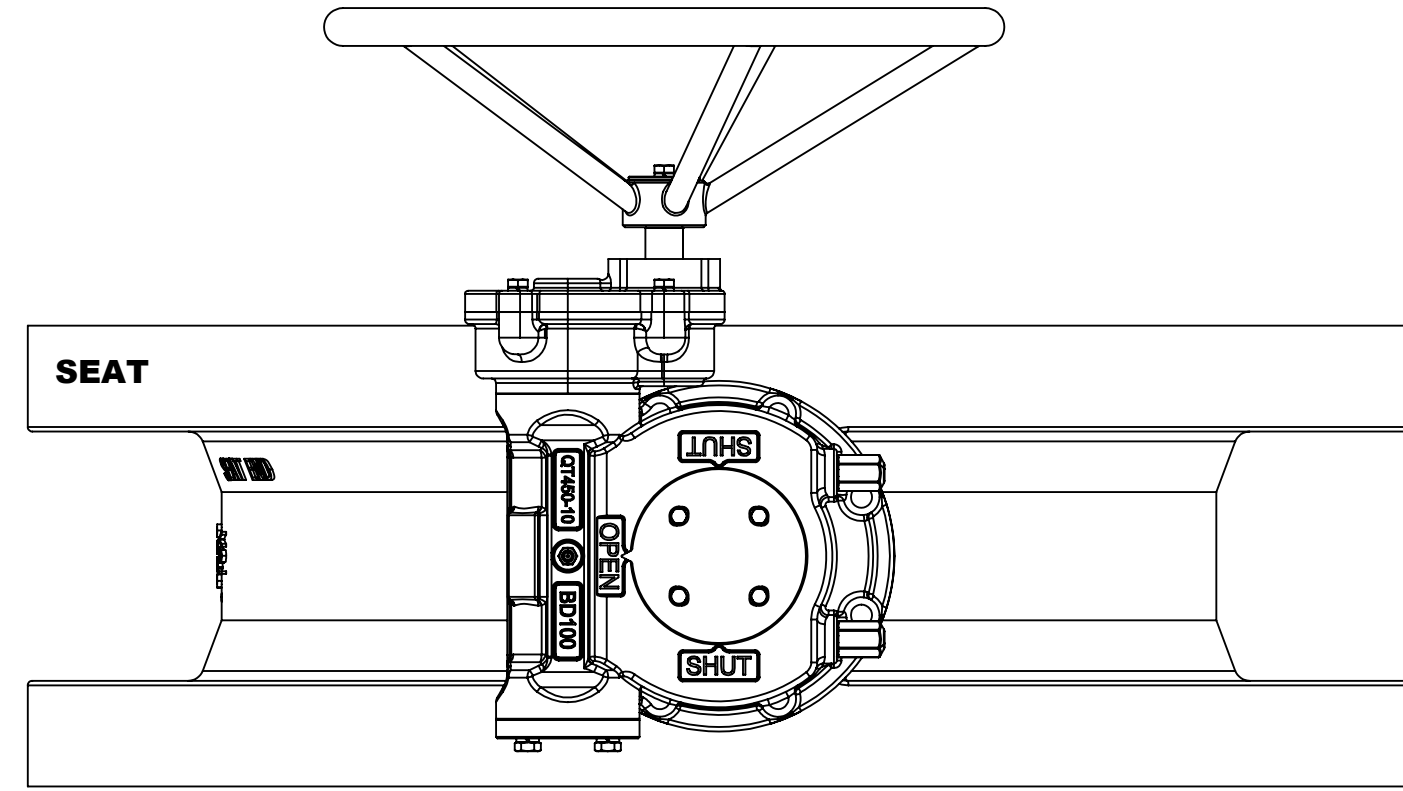
Position 1



Position 2



Position 3

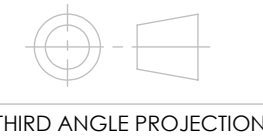


Position 4

Notes:

- MJ and Flanged connections follow same mounting positions.
- Position 1 is standard and all other configurations must be requested upon order
- Position 2 & 4 are subject to HW to pipe interference.

MATERIAL:
FINISH:



GENERAL TOLERANCES UNLESS OTHERWISE SPECIFIED:
 X.X ± 0.03 X.X° ± 0.5°
 X.XX ± 0.01
 X.XXX ± 0.005

6/6/2023	TMJ
PART #:	
BFVI GEAR ORIENTATIONS	
 VSI Waterworks 1155 ALPHA DR, ALPHARETTA, GA 30004 770.740.0800, FAX 770.740.8777	
THIS DRAWING REPRESENTS PROPRIETARY DESIGN INFORMATION, ORIGINATED BY VSI WATERWORKS FOR IT OR ITS CLIENT. THIS DRAWING IS CONFIDENTIAL. DO NOT DISTRIBUTE WITHOUT THE WRITTEN CONSENT OF VSI WATERWORKS	
SHEET 1 OF 1	